

## DESCRIPTION

AMC MODEL AGTN-2000-60D-100 OPTION: 100M2 IS A BROAD BAND VARIABLE ATTENUATOR/MODULATOR, 10 dB/VOLT ANALOG CONTROLLED (OTHER CONTROL VOLTAGES ARE AVAILABLE).

## SPECIFICATIONS

- FREQUENCY RANGE: ..... 100 MHz TO 2 GHz
- INSERTION LOSS: ..... 2.5 dB MAXIMUM
- ATTENUATION FLATNESS  
(± dB MAXIMUM): ..... 0-30 dB ± 0.5 dB MAXIMUM  
30-50 dB ± 1.5 dB MAXIMUM  
50-60 dB ± 2.5 dB MAXIMUM
- ATTENUATION ACCURACY: ..... 0-10 dB ± 2.0 dB MAXIMUM  
10-20 dB ± 1.0 dB MAXIMUM  
20-50 dB ± 1.5 dB MAXIMUM  
50-60 dB ± 2.0 dB MAXIMUM
- SWITCHING SPEED: ..... < 1 uSec
- VSWR: ..... 2.0:1
- RF POWER RATINGS  
OPERATING: ..... +10 dBm CW MAXIMUM, +20 dBm TYPICAL  
SURVIVAL: ..... +30 dBm CW MAXIMUM
- CONTROL: ..... 10 dB/VOLT ANALOG CONTROLLED  
(OTHER CONTROL VOLTAGES AVAILABLE)
- POWER SUPPLY: ..... +12 VDC @ 250 mA MAXIMUM  
-12 VDC @ 50 mA MAXIMUM
- CONNECTORS  
RF INPUT/OUTPUT: ..... SMA FEMALE  
POWER AND CONTROLS: ..... SOLDER PIN CONTROL
- SIZE: ..... 2.00" x 1.81" x 0.50"

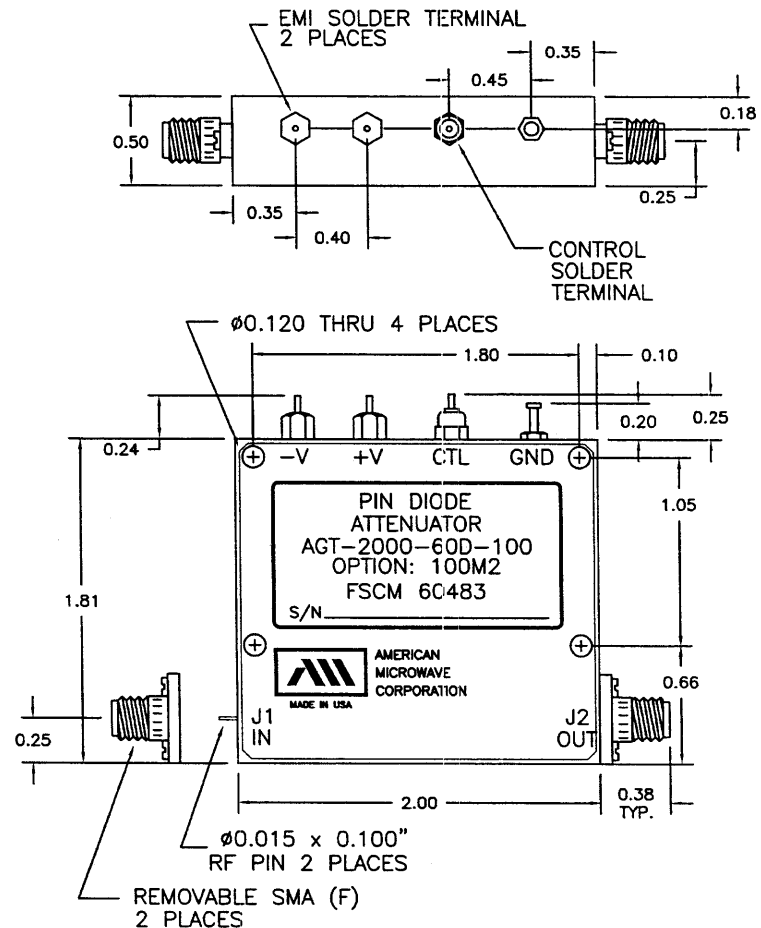
## ENVIRONMENTAL RATINGS

- TEMPERATURE: ..... -55°C TO +125°C (OPERATING)  
-65°C TO +125°C (STORAGE)
- HUMIDITY: ..... MIL-STD-202F, METHOD 103B COND. B
- SHOCK: ..... MIL-STD-202F, METHOD 213B COND. B
- VIBRATION: ..... MIL-STD-202F, METHOD 204D COND. B
- ALTITUDE: ..... MIL-STD-202F, METHOD 105C COND. B
- TEMPERATURE CYCLE: ..... MIL-STD-202F, METHOD 107D COND. A

NOTE: SPECIFICATIONS WILL VARY OVER OPERATING TEMPERATURE  
NOTE: THE ABOVE SPECIFICATIONS ARE SUBJECT TO CHANGE OR REVISION

ALL DIMENSIONS ARE IN INCHES  
TOLERANCES:  
X.XX ±0.020  
X.XXX ±0.010

REVISIONS				
ZONE	REV.	DESCRIPTION	DATE	APPROVED
-	-	ORIGINAL RELEASE JOB# 410244	12/2/04	<i>ESK</i>



## AMERICAN MICROWAVE CORPORATION

7311-G GROVE ROAD  
FREDERICK, MARYLAND 21704 USA  
TEL: 301-662-4700 FAX: 301-662-4938  
WEBSITE: [www.americanmicrowavecorp.com](http://www.americanmicrowavecorp.com)  
E-MAIL: [sales@americanmicrowavecorp.com](mailto:sales@americanmicrowavecorp.com)  
ISO 9001:2000 CERTIFIED

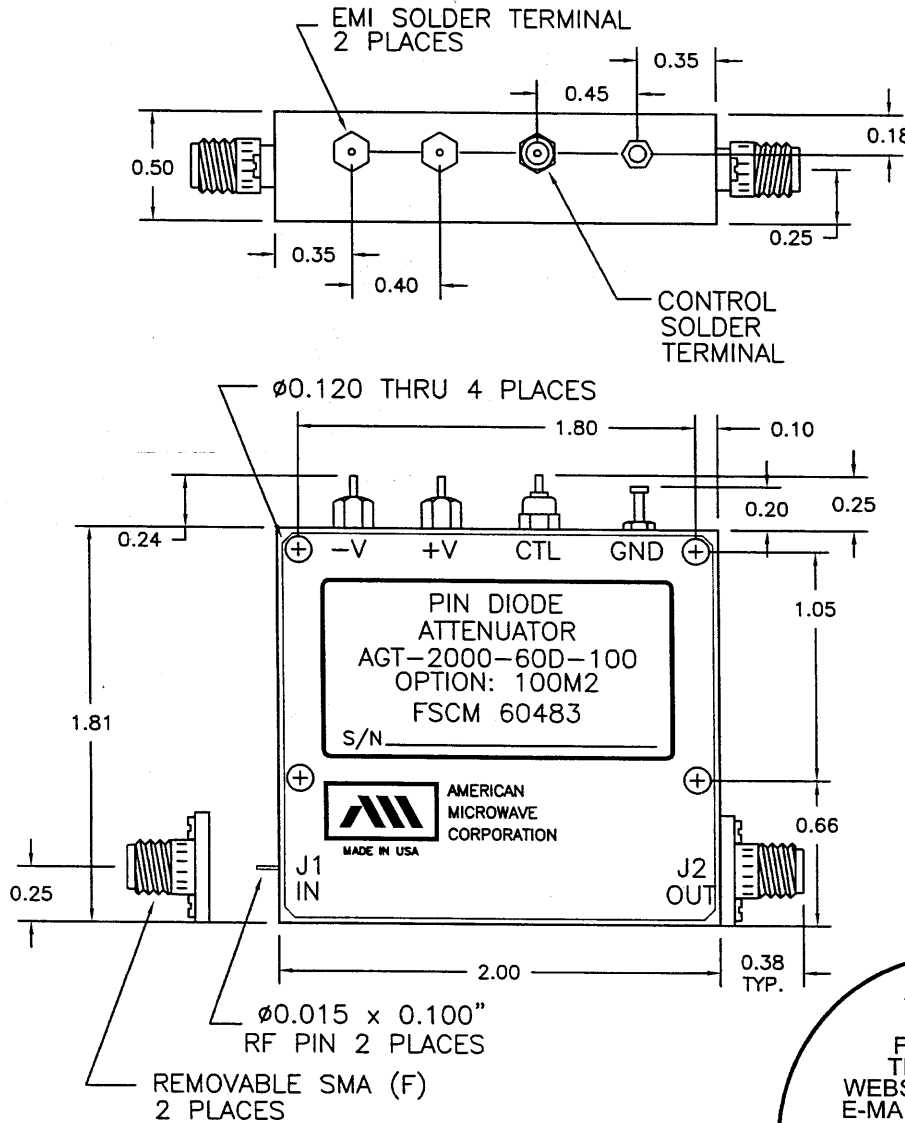


APPROVALS		DATE	TITLE			REV.
DRAWN <i>JDF</i>		12/2/04	PRODUCT FEATURE AGTN-2000-60D-100 OPTION: 100M2			-
CHECKED <i>M</i>		12/16/04	SIZE	FSCM NO.	DWG NO.	-
ISSUED			A	60483	100-7052	-
			SCALE	N:S		SHEET 1 OF 3

# DESCRIPTION

AMC MODEL AGTN-2000-60D-100 OPTION: 100M2 IS A BROAD BAND VARIABLE ATTENUATOR/MODULATOR, 10 dB/VOLT ANALOG CONTROLLED (OTHER CONTROL VOLTAGES ARE AVAILABLE).

REVISIONS				
ZONE	REV.	DESCRIPTION	DATE	APPROVED
	-	ORIGINAL RELEASE JOB# 410244	12/2/04	



# MECHANICAL OUTLINE

## AMERICAN MICROWAVE CORPORATION

7311-G GROVE ROAD  
 FREDERICK, MARYLAND 21704 USA  
 TEL: 301-662-4700 FAX: 301-662-4938  
 WEBSITE: [www.americamicrowavecorp.com](http://www.americamicrowavecorp.com)  
 E-MAIL: [sales@americamicrowavecorp.com](mailto:sales@americamicrowavecorp.com)  
 ISO 9001:2000 CERTIFIED



ALL DIMENSIONS ARE IN INCHES  
 TOLERANCES:  
 X.XX ±0.020  
 X.XXX ±0.010

APPROVALS		DATE	TITLE		
DRAWN	<i>JDJ</i>	12/2/04	MECHANICAL OUTLINE AGTN-2000-60D-100 OPTION: 100M2		
CHECKED	<i>LA</i>	12/16/04	100 MHz - 2 GHz, VOLTAGE VARIABLE ATTENUATOR		
ISSUED			SIZE	FSCM NCL	DWG NO.
			A	60483	100-7052
			SCALE	N:S	SHEET 2 OF 3